

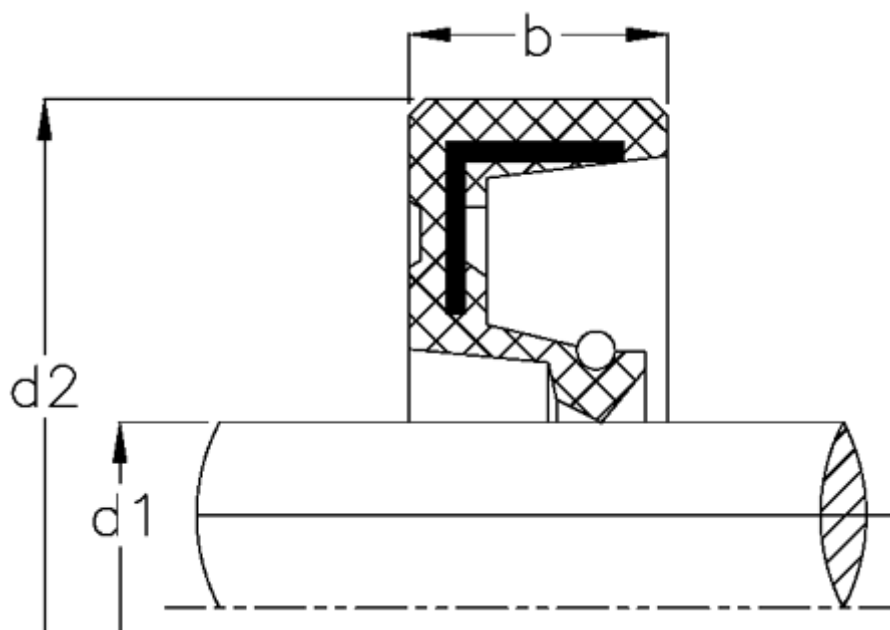
# Data Sheet



Article number: 170108001100120000

Description: Oil-seal WA 80110/10 IEC160/180)  
for gear F50. input

## Measures



b = 12  
d1 = 80  
d2 = 110  
Material = NBR